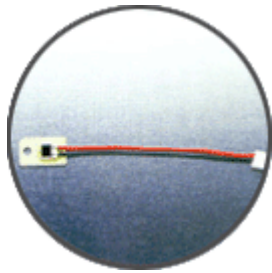


## SY-DS-1



SYhitech's dew sensors, SY-DS series, are capable of detecting and/or forecasting dew condensation by the change of resistance of the sensor.

### Features

- Small and light
- High response and reliable
- Dew detection high sensitivity and accuracy.

### Applications

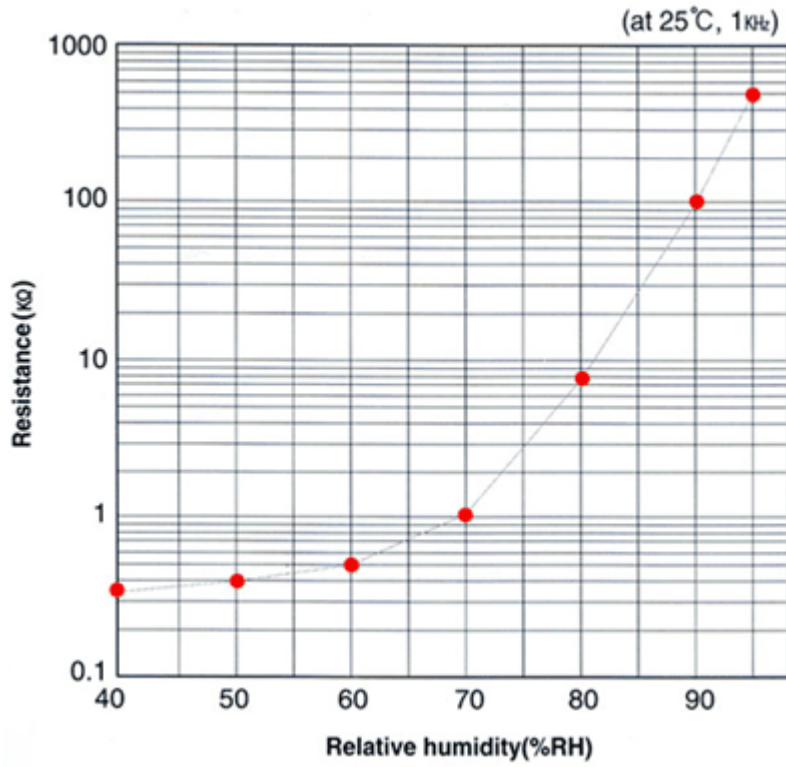
VCR, Camcorder, Copier, Car, Defroster

### Specifications

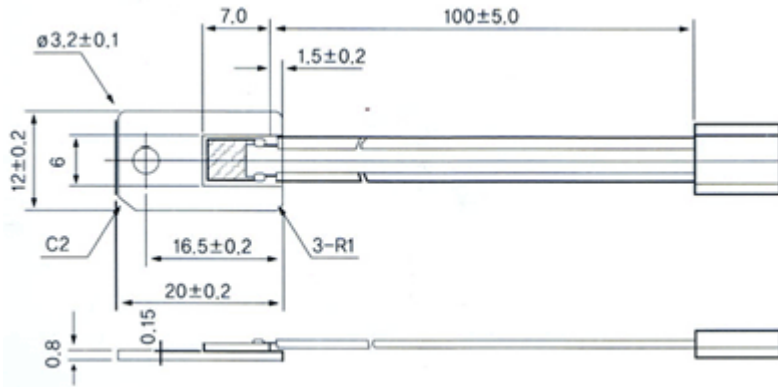
Items	SY-DS-1	Note
Rated voltage	DC 0.8v max.	
Operating temperature	0 ~ 60℃	
Operating humidity	0 ~ 100%RH	
Element size	6x7x0.64	WxLxT
Resistance	75%RH	20k $\wedge$ max
	93%RH	100k $\wedge$ max
	100%RH	200k $\wedge$ max
		at 25℃
		at 60℃

### Characteristics Curve

深圳市新世联科技有限公司



### Dimensions



深圳市新世联科技有限公司