

Pressure High-Speed Measurement Applications



Application Products

- FOP pressure sensor
- FPI-HS module sensor
- EVOLUTION chassis

Key Features

- High accuracy
- Up to 15 kHz sampling rate
- Temperature-compensated modules
- Atmospheric pressure compensation (option)

Specifications

Sensor

FPI-HS Module

	PRESSURE – FOP-M
Measuring range	R1: 0 to 5 psi / R2: 0 to 50 psi R3: 0 to 150 psi / R4: 0 to 1000 psi
Operating temperature	-20°C to 150°C
Accuracy ¹	±0.5% of full scale
Resolution	0.05% of full scale
Sampling rate	Up to 15 kHz
Number of channel	1
Analog output (Optional)	0 to 5V or 4–20 mA / 16 bits resolution
Operating temperature	10°C to 50°C
Storage temperature	-20°C to 70°C
Power consumption	<12 Watts
Lamp lifetime ²	3000 hours
Connector	SCAI ³ , SCA
Fiber core size	62.5/125µm
Communication / Evolution chassis	USB via EVO chassis / TS 35 DIN RAIL
Communication / OEM	RS-232 / RS-485
LED sensor signal and communication diagnostic	Yes

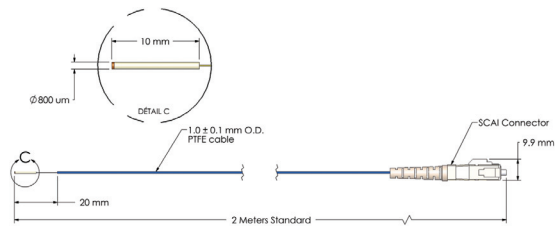
1. Includes reproducibility (sensor/module exchange), repeatability and hysteresis, non-linearity, scale error, offset error, conditioner temperature compensation error.
Pressure: Accuracy at room temperature.

2. Lamp is replaceable on field.

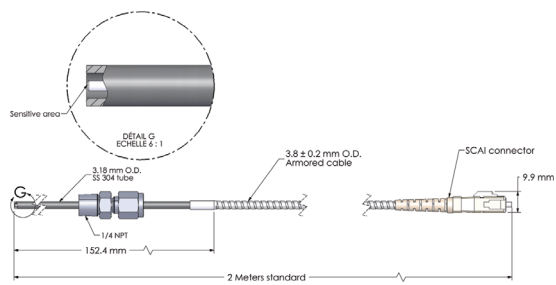
3. SCAI is an SCA connector with smart chip communicating calibration data to signal conditioner module.

FOP-M Dimensions

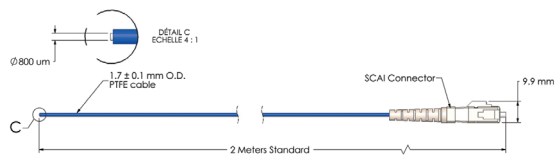
FOP-M-BA Model



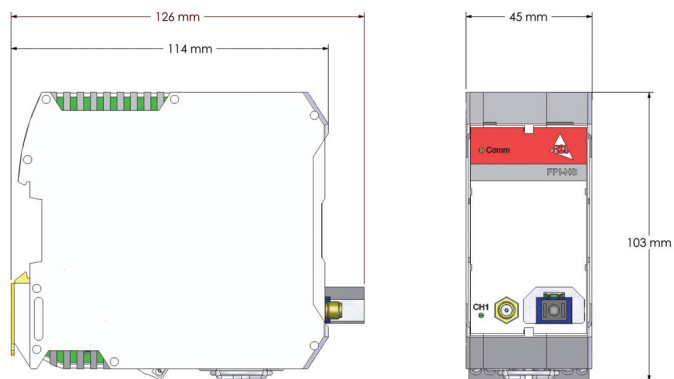
FOP-M-NP Model



FOP-M-PK Model



FPI-HS Module Dimensions



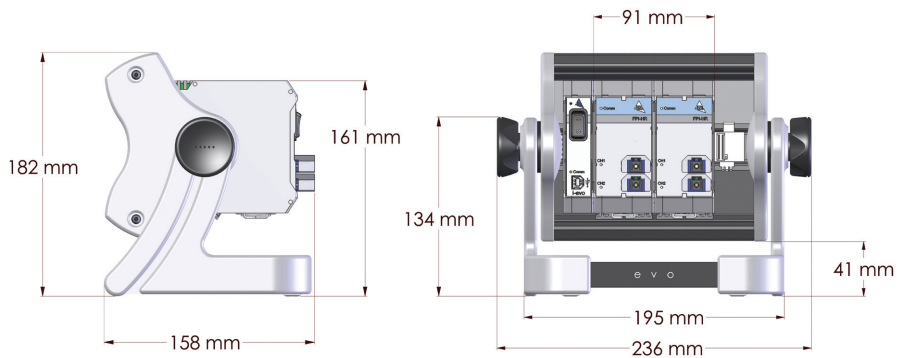
Specifications

Chassis

	EVOLUTION EVO-SD-2	EVOLUTION EVO-SD-5	EVOLUTION EVO-HMI-3 (Coming Soon)	EVOLUTION EVO-RM-8 Rackmount
Display	—	—	LCD WVGA (800 × 480) Touchscreen	—
Communication	USB Expansion RS-485	USB Expansion RS-485	USB Ethernet Gbits Expansion RS-485	USB Expansion RS-485
Data logging memory	Via computer	Via computer	Internal, SD, USB slave	Via computer
Number of modules	Up to 2	Up to 5	Up to 3	Up to 8
Expansion chassis	EVO-SD-5	EVO-SD-5	EVO-SD-5	EVO-RM-8
Power supply	24VDC 70W	24VDC 70W	24VDC 70W	24VDC 70W

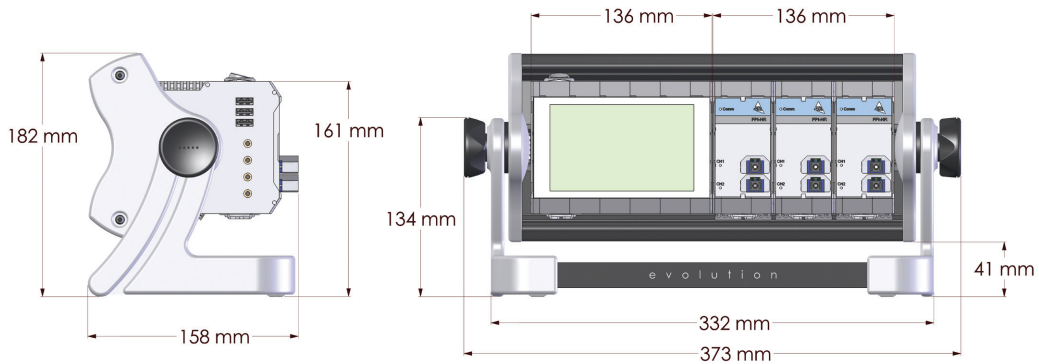
Evolution Chassis Dimensions

EVO-SD-2 Model



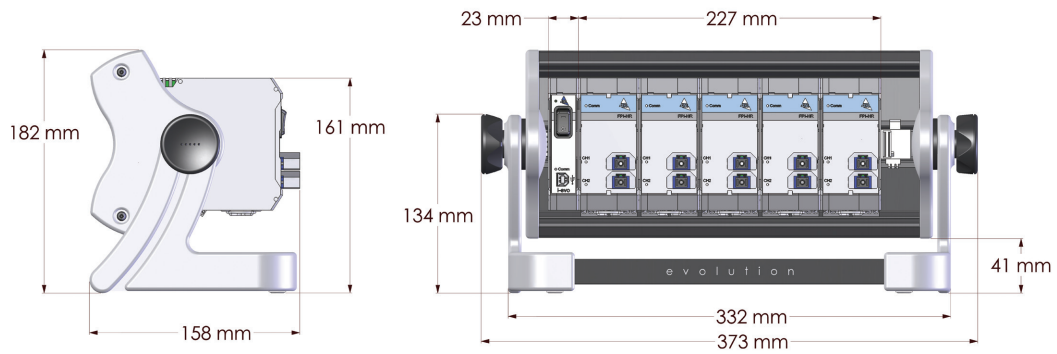
EVO-HMI-3 Model

COMING SOON

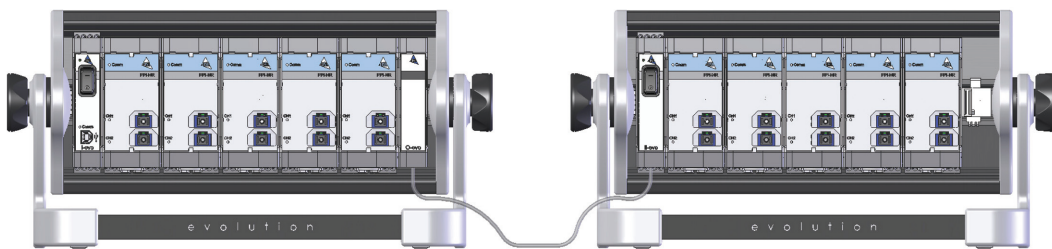


Evolution Chassis Dimensions

EVO-SD-5 Model



EVO-SD-5-EXP-Cable Model



EVO-RM-8 Model

