

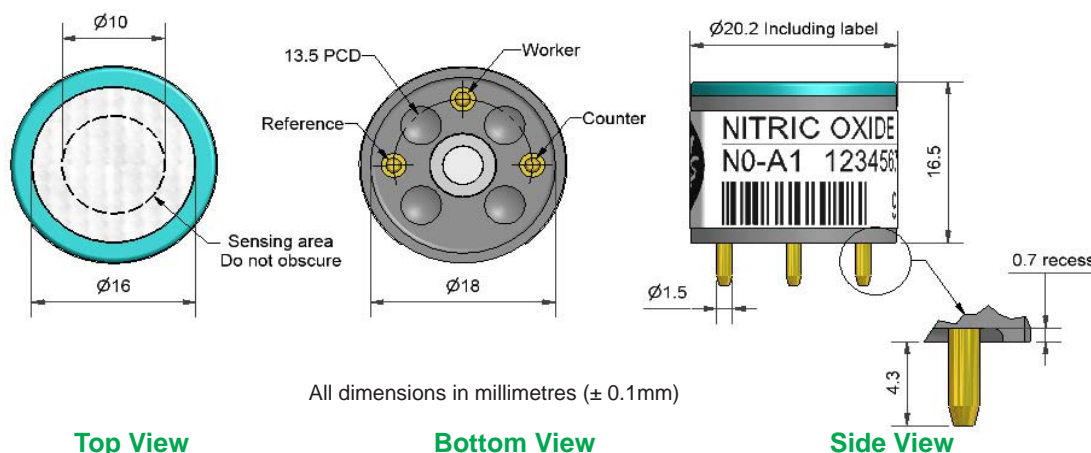


NO-A1 Nitric Oxide Sensor



PATENTED

Figure 1 NO-A1 Schematic Diagram



Technical Specification

| PERFORMANCE | Parameter | Specification | Range |
|-------------|---------------|--|------------|
| | Sensitivity | nA/ppm in 50ppm NO | 320 to 480 |
| | Response time | t_{90} (s) from zero to 50ppm NO | < 45 |
| | Zero current | ppm equivalent in zero air | 0 to +2 |
| | Resolution | RMS noise (ppm equivalent) | < 0.2 |
| | Range | ppm NO limit of performance warranty | 250 |
| | Linearity | ppm error at full scale, linear at zero and 50ppm NO | +15 to +25 |
| | Overgas limit | maximum ppm for stable response to gas pulse | 800 |

| LIFETIME | Parameter | Specification | Range |
|----------|-------------------|---|-------|
| | Zero drift | ppm equivalent change/year in lab air | < 0.3 |
| | Sensitivity drift | % change/year in lab air, monthly test | < 5 |
| | Operating life | months until 80% original signal (24 month warranted) | > 24 |

| ENVIRONMENTAL | Parameter | Specification | Range |
|---------------|---------------------|--|-----------|
| | Sensitivity @ -20°C | % (output @ -20°C/output @ 20°C) @ 50ppm | 83 to 94 |
| | Sensitivity @ 50°C | % (output @ 50°C/output @ 20°C) @ 50ppm | 98 to 104 |
| | Zero @ -20°C | ppm equivalent change from 20°C | < 0 to -1 |
| | Zero @ 50°C | ppm equivalent change from 20°C | < 3 to 16 |

| CROSS SENSITIVITY | Gas | Sensitivity | Specification | Range |
|-------------------|------------------|-------------|-------------------------|-------|
| | H ₂ S | sensitivity | % measured gas @ 20ppm | < 30 |
| | NO ₂ | sensitivity | % measured gas @ 50ppm | < 5 |
| | Cl ₂ | sensitivity | % measured gas @ 10ppm | < 15 |
| | SO ₂ | sensitivity | % measured gas @ 20ppm | < 3 |
| | H ₂ | sensitivity | % measured gas @ 400ppm | < 0.1 |
| | CO | sensitivity | % measured gas @ 400ppm | < 0.1 |
| | NH ₃ | sensitivity | % measured gas @ 20ppm | < 0.1 |
| | CO ₂ | sensitivity | % measured gas @ 5% Vol | < 0.1 |

| KEY SPECIFICATIONS | Parameter | Specification | Range |
|--------------------|-------------------|--|-----------|
| | Bias voltage | mV (working electrode potential is above ground) | +300 |
| | Temperature range | °C | -30 to 50 |
| | Pressure range | kPa | 80 to 120 |
| | Humidity range | % rh continuous | 15 to 90 |
| | Storage period | months @ 3 to 20°C (stored in sealed pot) | 6 |
| | Load resistor | Ω (recommended) | 10 to 47 |
| | Weight | g | < 6 |



At the end of the product's life, do not dispose of any electronic sensor, component or instrument in the domestic waste, but contact the instrument manufacturer, Alphasense or its distributor for disposal instructions.

ApolloSense Ltd



NO-A1 Performance Data

Technical Specification

Figure 2 Sensitivity Temperature Dependence

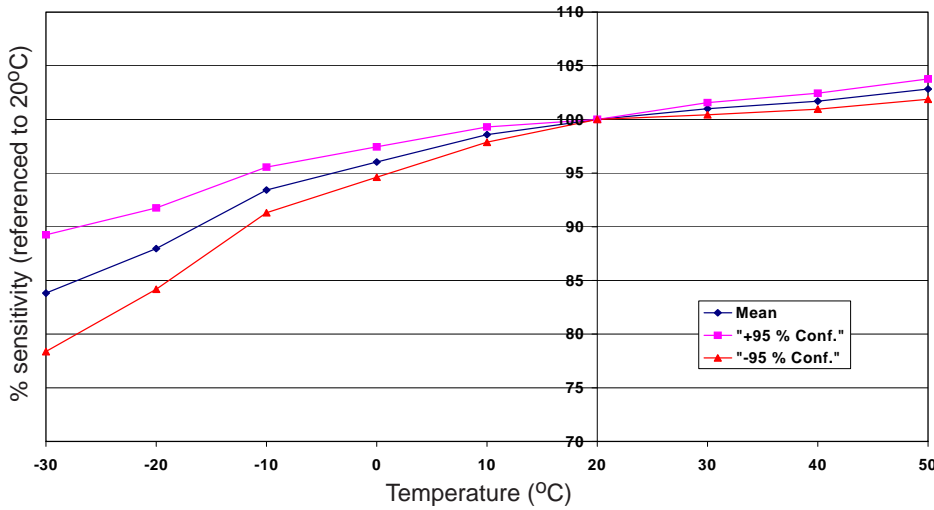


Figure 2 shows the variation in sensitivity caused by changes in temperature.

This data is taken from a typical batch of sensors. The mean and $\pm 95\%$ confidence intervals are shown.

Figure 3 Zero Temperature Dependence

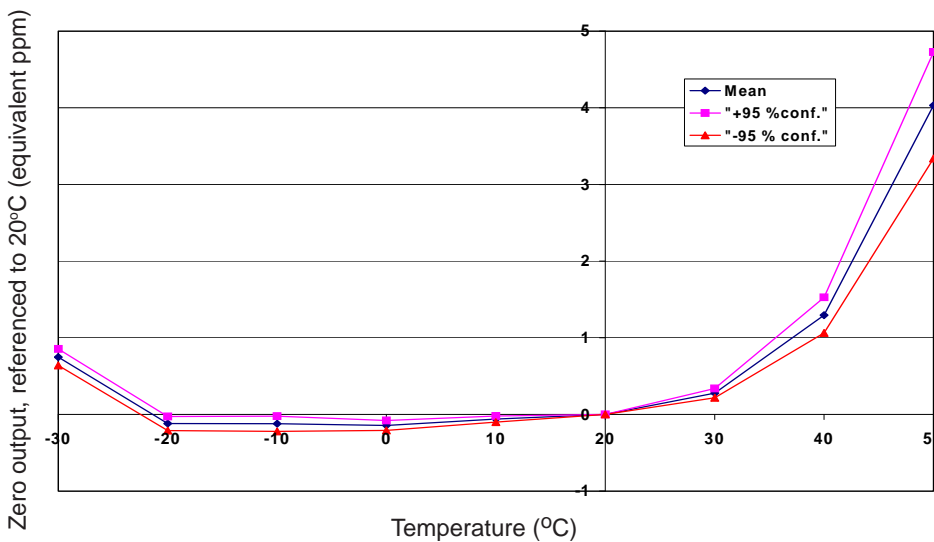
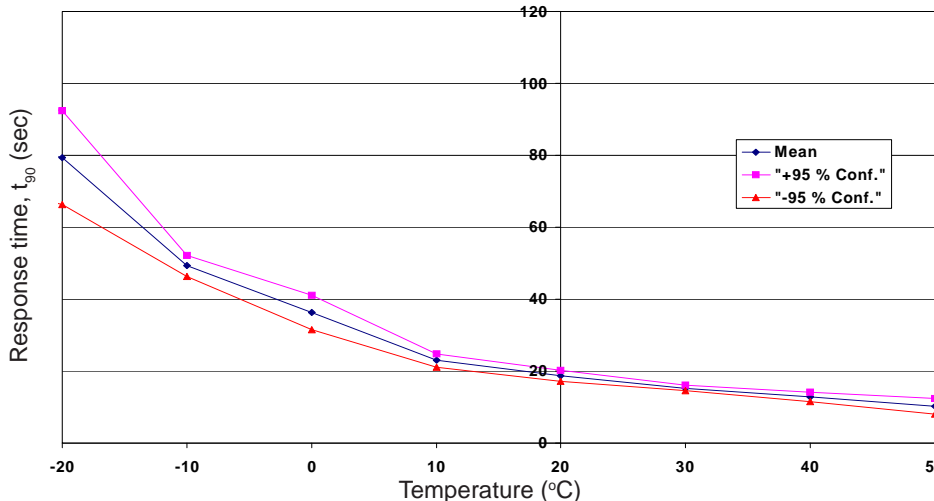


Figure 3 shows the variation in zero output caused by changes in temperature, expressed as ppm gas equivalent, referenced to zero at 20°C.

This data is taken from a typical batch of sensors. The mean and $\pm 95\%$ confidence intervals are shown.

Figure 4 Response Time(t_{90}) Temperature Dependence



Sensor response time increases as temperature decreases. Alphasense response time (t_{90}) is measured at 20°C.